

# HOMECREST®

C A B I N E T R Y

## 2022 LAUNCH BROCHURE

---

With Spring in full bloom, our thoughts turn to longer, sunny days and warm nights filled with entertaining family and hosting good times with friends. Help your customers create the perfect backdrop for gatherings with new door styles, fresh new finishes, and a host of new SKUs that will surely excite them! Browse these pages and get inspired with all the possibilities for your customers!

# NEW DOORSTYLES

SEE SPEC BOOK PAGE 12-14

We are so excited to offer three more doors in our line. Highland's mitered style adds just the right touch to make it an ideal choice for someone wanting an extra touch of style.

Kendrick has a shaker style with some additional flair in the door details which is a good blend of traditional and contemporary styles.

Rosedale is a trendy door style that will work well with a variety of design preferences and has the perfect amount of detail.

These three doors will give you the flexibility to design anywhere within the style spectrum, from traditional to farmhouse casual.

Shown in Maple Fallow



**5-Piece Drawer Front**

Full Overlay  
Available on Maple &  
Painted Hardwood



**Slab Drawer Front**

Full Overlay  
Available on Painted Hardwood,  
Hickory, Oak, Maple

**5-Piece Drawer Front Option**

Full Overlay  
Available on Painted Hardwood,  
Hickory, Oak, Maple



**Slab Drawer Front**

Full Overlay  
Available on Maple, Painted  
Hardwood

**5-Piece Drawer Front Option**

Full Overlay  
Available on Maple, Painted  
Hardwood

# NEW FINISHES

SEE SPEC BOOK PAGE 18-19



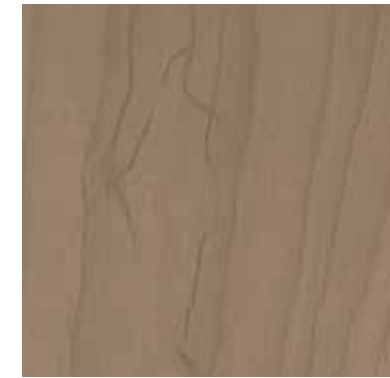
Piper Maple Wren



Piper Painted Hardwood Peacock



Piper Hickory Derby



## WREN

A transitional, medium brown stain featuring a touch of gray.

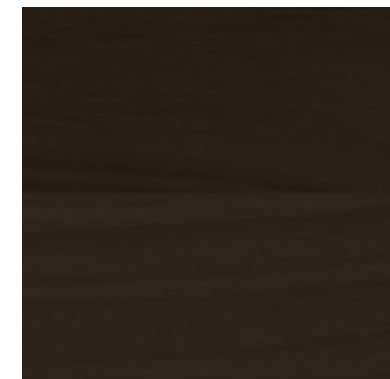
*Available on Hickory, Maple, Oak, Rustic Hickory  
Ebony & Brownstone Glazes*



## PEACOCK

A very popular and versatile navy-blue paint, with gray undertones.

*Available on Painted Hardwood  
Ebony & Brownstone Glazes*



## DERBY EXPANDED

Combining trending gray tones with a deep, inviting richness, Derby is now available on Hickory and Rustic Hickory.

*Available on Hickory, Maple, Oak & Rustic Hickory*

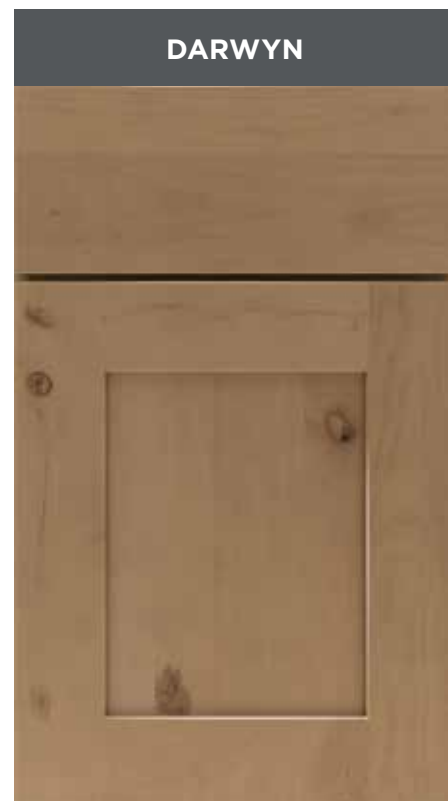
# EXPANDED DOORSTYLES

SEE SPEC BOOK PAGE 9, 11, 16

Are you working on a country farmhouse or a log cabin project? Check out Darwyn and Wexford now available in Rustic Hickory.

If you are looking at a shaker style cabinet door, Arbor is now available with optional 5-piece drawer front giving you the flexibility to add a little more detail!

Shown in Fallow



DARWYN

**Now available in Rustic Hickory**

Slab Drawer Front

Also available with 5 piece option.



WEXFORD

**Now available in Rustic Hickory**

Slab Drawer Front



ARBOR

**Optional 5 Piece Drawer Front**

Top/Bottom drawer front rails will be 2" on all drawer fronts

Available in all species

# SKU INTRODUCTIONS

## Custom Doors

SEE SPEC BOOK PAGE 171 - 172

Get the endless possibilities of Custom Choice with the ease of a standard order. With the introduction of these new SKUs allow custom door sizes to be ordered with your kitchen order. *N/A in Chalet, Fyfer, or Piper.*

### DADOOR:

- Custom sizes available in 1/32" increments.
- Includes a 3/4" thick door made to a custom size
- All doors will be specified "NO HINGE ROUTE".

*Backs may have identification marks, be unfinished, and have 3/16" diameter holes used during finish processing. For these reasons, these doors are not suitable for use as cabinet doors.*

### DOORHNG:

- Custom sizes available in 1/32" increments.
- Includes a 3/4" thick door made to a custom size
- Hinges must be ordered separately and specified full or traditional overlay
- Doors are finished on both sides and routed for hinges.

## Under Counter Drawers

Single Drawer/Door Front Models - UCDS3021, UCDS3621

SEE SPEC BOOK PAGE 128 & 141

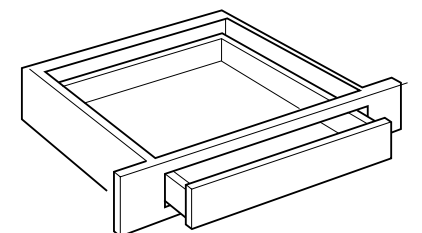
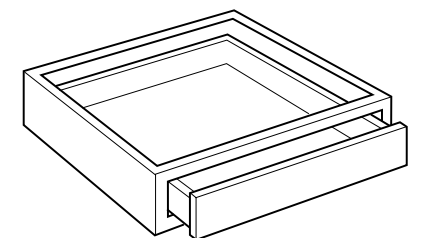
Single Drawer/Door Front Trimmable Models - UCDT2421, UCDT3021, UCDT3621

SEE SPEC BOOK PAGE 128 & 141

Out with the old and in with the new. Making room for less compartmentalized storage and larger items while providing cleaner look, all under counter double-drawers now have a single drawer. Single Drawer units are available with or without trimmable front.



Welzin Maple Galaxy





## SKU EXPANSION

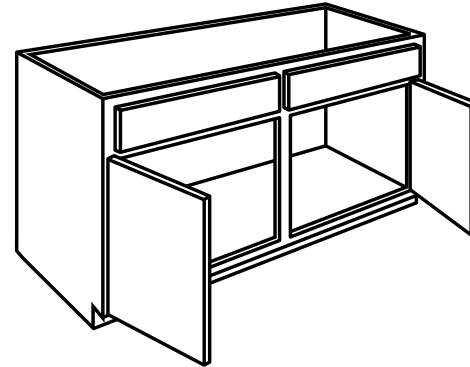
---

### Sink Bases expanded to 27" Depth

SB\*27, SB\*27ST; CNTYSB\*27

SEE SPEC BOOK PAGE 92, 94, 95

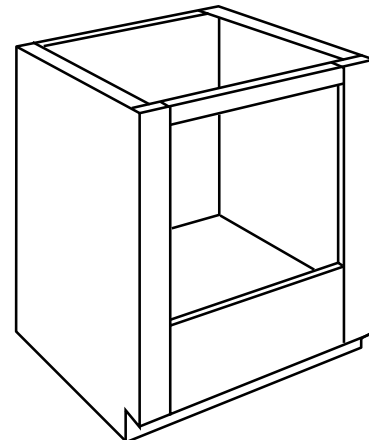
Whether in cooking spaces or utility rooms, this larger sink base allows for more storage and compatibility with trending larger sink sizes.



### Base Oven Cabinet - BO36

SEE SPEC BOOK PAGE 97

Do you have your eye on a larger oven for your kitchen? This base oven cabinet will give you great flexibility for a perfect cutout that can fit more sizes to better suit your design needs! Also, tucking an oven cabinet under a countertop within the base cabinet run is an alternative to a tall cabinet.

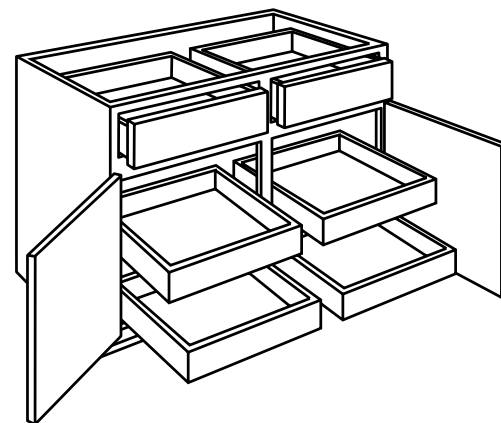


### Base Single/Double Door Roll Trays

B12RT, B39RT, B42RT, B45RT, B48RT

SEE SPEC BOOK PAGE 90

Adding new sizes so you can eliminate clutter by organizing your items in the base single door with 2 Roll Trays or the base double door with 4 Roll Trays.

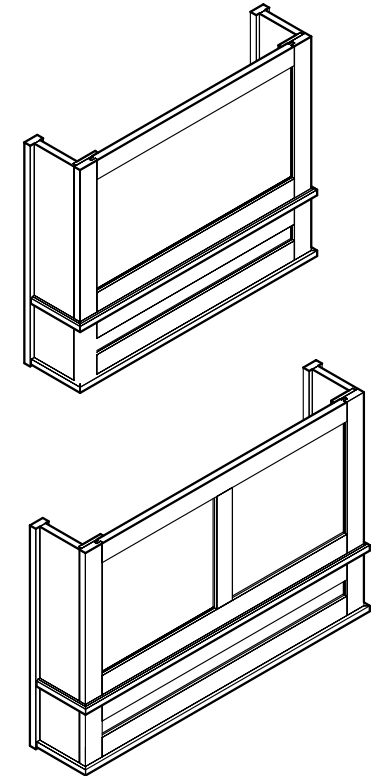


### Batten Wood Hoods expanded to 30 & 36"

WHSBATTEN3030, WHSBATTEN3030

SEE SPEC BOOK PAGE 86

Wood hoods provide a focal point and extra level of personalization in your kitchen design. By popular demand, we have expanded Batten Wood Hoods to now include 30" height in 30" and 36" widths.



## SKU INTRODUCTION

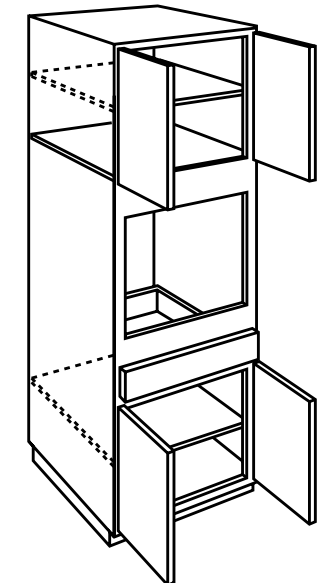
---

### Expand Narrow Rail Oven SKUS

OSB30\*\*N, OSB33\*\*N, OD30\*\*N, OD33\*\*N  
OD30\*\*DDN, OD33\*\*DDN, OMC30\*\*24DDN  
OMC33\*\*24DDN

SEE SPEC BOOK PAGE 119, 121, 123, 125

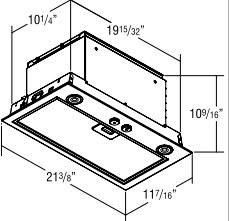
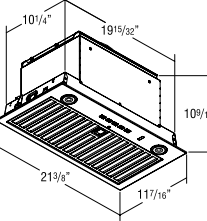
Looking for a narrower rail and more appliance revealing? You now have the option to order single, double, double deep drawer oven cabinets and oven microwave cabinets with narrow rails! See the next page to learn more about the new ACS mod if you are looking for a custom cut-out opening!



# PRODUCT UPDATES

## Blower Inserts

SEE SPEC BOOK PAGE 87

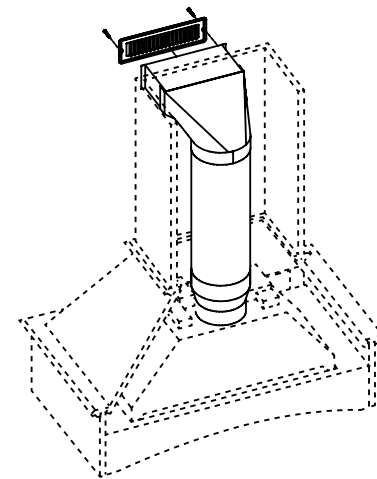
BLOWER INSERTS		
<p>Select Broan supplied blowers updated to include technical advancements</p> <ul style="list-style-type: none"> <li>• Greater CFMs for greater power.</li> <li>• LED lighting for longer lifespan</li> <li>• Heat Sentry® technology detects excessive heat and adjusts blower speed accordingly to preserve blower life while providing proper ventilation</li> <li>• WIFI capabilities for smartphones or smart home network integration</li> </ul>	<p><b>BLOWER400</b> replaces TWHBLOWER390</p> 	<p><b>BLOWER600</b> replaces TWHBLOW ER500</p> 
CFM	400	600
Lights	2 LED lights	2 LED lights
Heat Sentry® technology	✓	✓
WIFI enabled	--	✓

## Wood hood Ductwork Conversion Kit

SEE SPEC BOOK PAGE 87

Now includes a charcoal filter, required for proper filtration.

- Replacement Charcoal filter (FILTERCHAR) is also available



## Furniture Board Drawer (FDRW)

SEE SPEC BOOK PAGE 23

We are always looking for simplicity when you are placing an order with us. You can now downgrade all drawers and roll trays on your order with one click!

## Construction Changes

SEE SPEC BOOK PAGE 77, 80, 128, 147

- **Wall Message Center** (WMC12\*\*) will change to standard construction with upgrade modifications.
- **Wall Outside End Shelf** (WOC6\*\*STSB) will add APU availability
- **Furniture Drawers** (FD\*\*) moves to standard construction with construction upgrades available.
- **End Panels** (SP's) now available with APU

## Bookcases - BU\_\_SV , T\_\_BCVV

SEE SPEC BOOK PAGE 129& 130

On all Bookcases, frame stock has been removed from the shelves for easier adjustability and a more cohesive appearance.

## Miscellaneous Parts

SEE SPEC BOOK PAGE 169-170

We have converted our most popular parts to SKUs to make the ordering process more efficient and easier to navigate.

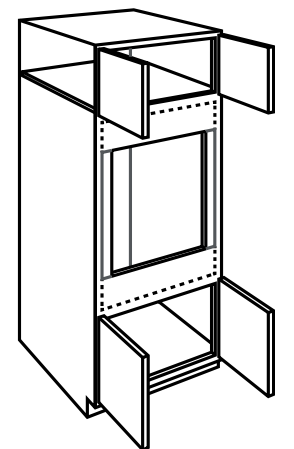
# NEW MODIFICATIONS

## Appliance cut-out, Single - ACS

SEE SPEC BOOK PAGE 26

Creates a custom cut-out area for field-ready oven installation. Available on oven cabinets specified with an (N) for Narrow Stile, with 1 1/2" wide frame side stiles.

Custom Width dimension available in 1/4" increments. Standard frame opening will start 3" smaller than overall cabinet width. Custom cut-out opening can be specified from 3 1/2" to 6" smaller than the cabinet width in 1/4" increments. Cut-out opening will be centered. Custom Height dimension available in 1/4" increments. Cut-out area will be centered.



# MODIFICATION UPDATES

---

## **Mullion Door expansion**

Mullion Doors (MD) are a beautiful visual focal point in your kitchen or on your entertainment center! By popular demand, we have added 15" height, and expanded 18" and 24" height options to give you more flexibility with your design!

## **Glass Drop Ship Program**

Textured glass panel inserts, as well as glass shelf kits, have joined a drop-ship program. Homecrest Cabinetry as well as the PO # will be included on glass deliveries.

## **Expanded Flush Toekick – FTKAV & FTKFV**

SEE SPEC BOOK PAGE 31

To allow for greater design flexibility in spaces with 9' and 10' ceilings, Flush Toekick Arch (FTKAV) and Flush Toekick Furniture (FTKFV) modifications can now be added to 93" and 96" tall cabinets.

## **DISCONTINUATIONS**

---

**See discontinuation list for details**

